



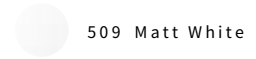
ONA

Unik - Compact base unit with one door and Fineceramic® basin

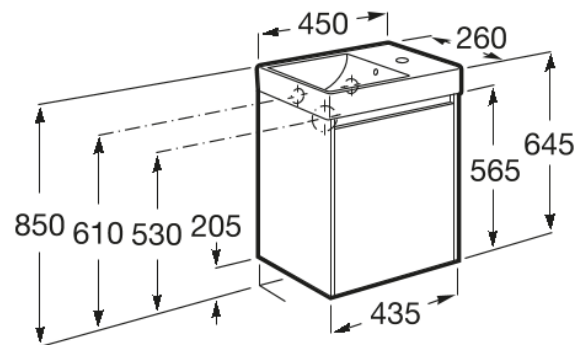
DIMENSIONS

Length	450 mm
Width	260 mm
Height	645 mm

COLOURS AND FINISHES



TECHNICAL DRAWINGS



FEATURES

Unik - Compact base unit with one door and Fineceramic® basin.
Faucet not included.

Base unit / Closing and opening system: Soft close doors

Base unit / Door type: Hinged

Base unit / Doors and drawers combination: 1 Door

Base unit / Structure: Doors

Basin / Taphole configuration: 1 Taphole in the middle

Basin Position: Right

Basin shape: Square

Dimensions / Basin and base unit / Length (mm): 450

Dimensions / Basin and base unit / Width (mm): 260

Dimensions / Basin and base unit / Height (mm): 645

Faucet installation: On the basin

Installation type: Wall-hung

Material / Base unit: MDF

Material / Basin: FINECERAMIC®



Base unit / Right hand opening

BOUGHT TOGETHER FREQUENTLY



Column unit with two doors

857635...



Column unit with two doors and open shelf

857636...



Top unit with one door

857637...



Basin mixer with smooth body. Cold Start. S-Size

5A3A9E..0



Basin mixer with smooth body and click-clack waste. Cold Start. M-Size

5A3C9E..0

Ona

Simple as nature. Ona pays homage to the diverse shapes of nature from our native Mediterranean. It is functional without ever appearing cold, with crisp aesthetics that follow the inherent warmth of the natural environment, made for those who enjoy the power of silent landscapes



INSTALLATION AND USER MANUALS



[User handbook](#)